

# SLOTTED CHANNELS **NEW**

SLOTTED CHANNELS for design-sensitive applications.



**Killesberghöhe in Stuttgart,  
Germany**



# SLOTTED CHANNELS

SLOTTED CHANNELS for design-sensitive applications.

## 1 Requirements

For the drainage of areas with architectural demands

- the surface drainage has to be discreetly hidden
- processing of all standard surface layers and stone slabs should be possible
- the surface water needs to be drained reliably

## 2 Application areas

- for areas and facades with high optical demands
- especially in public and commercial areas

## 3 Solutions

Therefore SLOTTED CHANNELS are suitable for the drainage of areas with architectural demands:

- only with the visible slot (narrow line) on the surface the clear elegance and significance is reached
- for all common surface layers and even asphalt
- allows to design a project in an uniform design
- functional requirements are completely met
- easy access to channel run through access cover
- slotted gratings made of galvanised or stainless steel



Shopping center Atoll Angers Beaucoz , France



Office building in M llheim, Germany



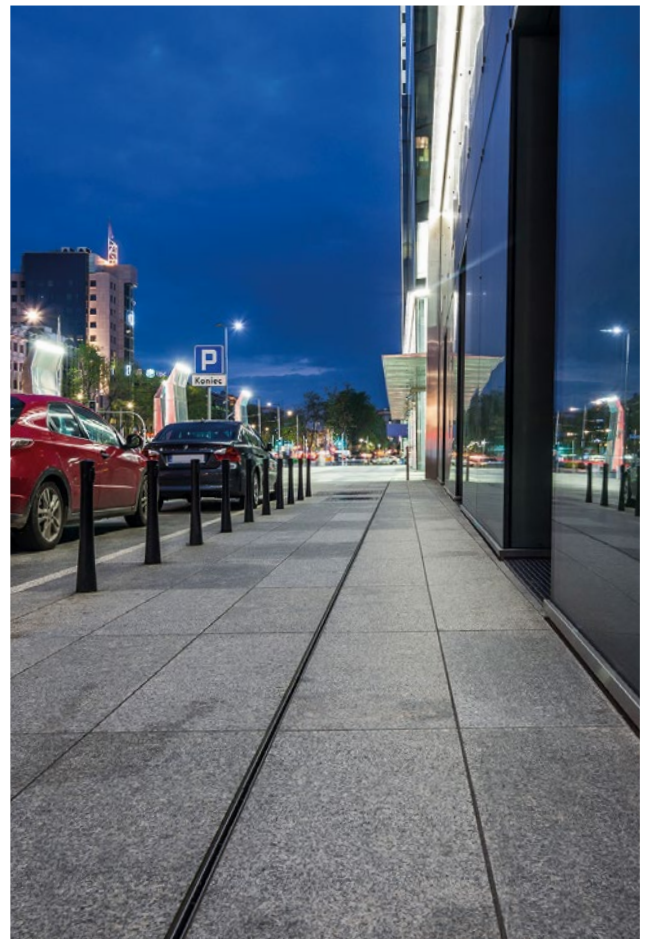
Phoenix Sea in Dortmund, Germany



Kocherquartier, Schwäbisch Hall, Germany



Town hall square in Esch-sur-Alzette, France



Office building in Warsaw, Poland

RECYFIX®  
PRO

RECYFIX®  
PLUS

RECYFIX®  
STANDARD

Facade Drainage

SLOTTED  
CHANNELS

RECYFIX® POINT  
FASERFIX® POINT

RECYFIX®  
GREEN

LINEFIX

TOP X

# YOUR BENEFITS WITH SLOTTED CHANNELS

## DIVERSE AND VARIABLE SOLUTIONS

- channels and covers can be combined in various ways
- slot covers made of galvanised or stainless steel (several stainless steel qualities)
- individual slot covers with numerous neck heights for different load classes
- a duo slotted cover with 2 x 6 mm slot width for class C 250
- many channel systems, also with built-in fall, can be used
- the channel bodies of the **FASERFIX** KS and **RECYFIX** PRO systems offer
  - optimised water inlet into the channel body
  - locking option if required

### = DESIGN FLEXIBILITY



## SEPARATE END CAP FOR SLOTTED COVER

- prevents bedding material from trickling into the channel
- freely positionable if required

### = PERFORMANCE ASSURED



## HIGH COVER STABILITY

- constructive reinforcements under the cover and the thickness of the material ensure a high quality → perfect balance between weight and stability
- class E 600: material thickness 4 mm
- extremely dimensionally stable → slot on the surface resistant to mechanical influences
- surface water is reliably drained
- the use of pure materials guarantees corrosion protection and the recyclability of the individual components

### = LONGEVITY / PERFORMANCE ASSURED



## ATTRACTIVE DRAINAGE SOLUTION

- sophisticated drainage line blends harmoniously into the architecture of the site - slot widths 10 - 18 mm for classes A 15, C 250, D 400 and E 600

### = UNIQUENESS



## HIGH-LEVEL FUNCTIONALITY AND EASY INSTALLATION

- easy handling and installation
- removable access covers → quick access to the channel run for maintenance and cleaning
- integrated tongue and groove connection of the channels **and** covers - simple installation without complicated alignment
- permanently straight slot without waviness or misalignment

### = TIME & COST SAVINGS



## CONNECTION POSSIBILITIES

- simple production of corner connections
- access covers, can be positioned as required, fit on channels and trash boxes
- access covers with pavalable cover - all common surfaces and stone slabs possible

### = DESIGN FLEXIBILITY



## UNIQUE CONNECTION TECHNOLOGY

- interlocking connection at the joints of the cover (push connector)
  - ideal connection for aligned installation
  - prevents bedding material from trickling into the channel
- high stability through additional strengthening of the neck in the joint area
- compensation of installation tolerances and material expansion with push connector
- removable, e.g. to be able to attach end caps

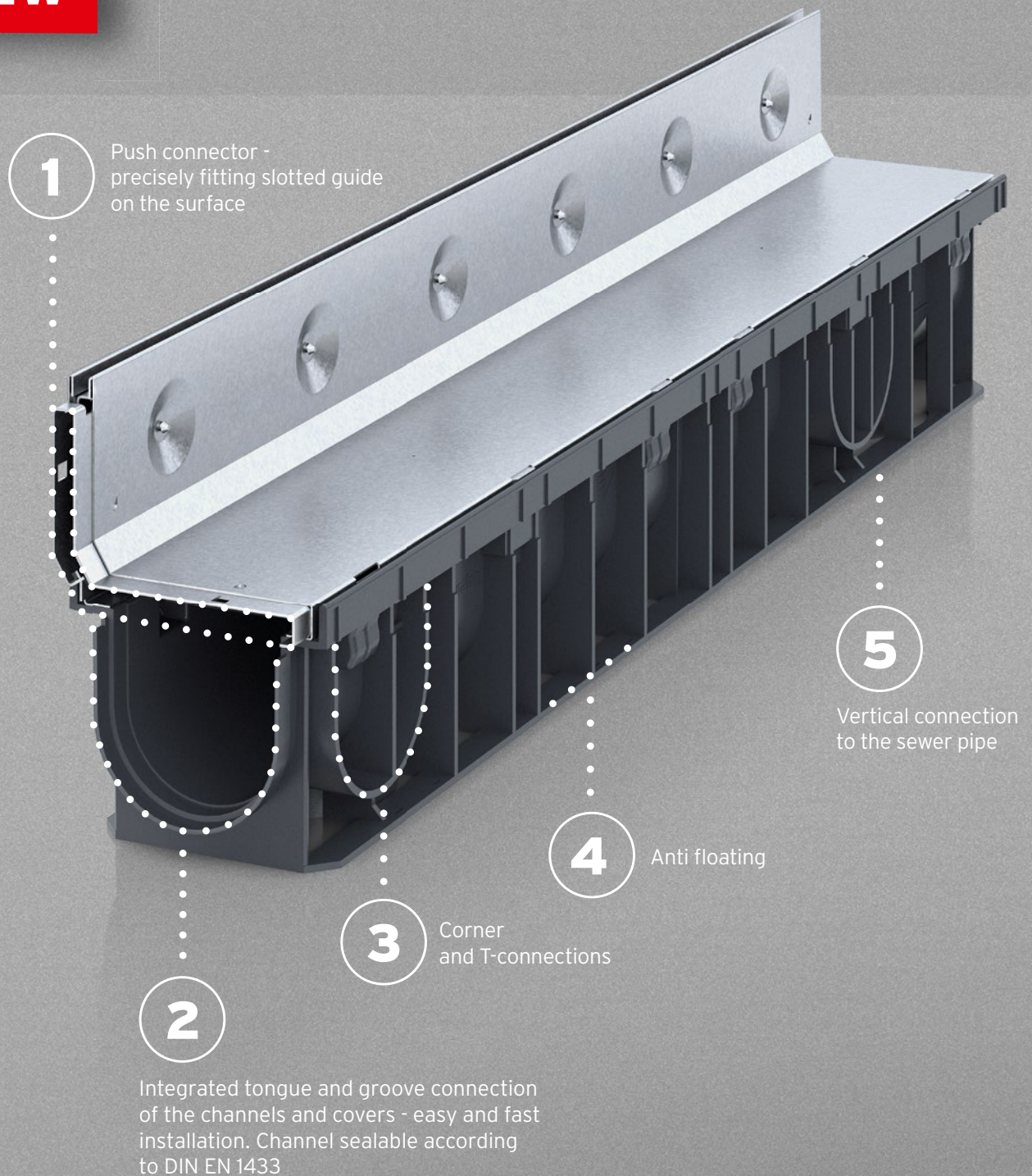
### = PERFORMANCE ASSURED / TIME & COST SAVINGS



### IDEAL FOR ...

design-sensitive applications, such as areas and facades with high optical demands especially in public and commercial areas.

**NEW**



# SLOTTED CHANNELS

SLOTTED CHANNELS for design-sensitive applications.

**World champion surface drainage for German football.**

## FASERFIX SLOTTED CHANNELS

**DFB Football Museum in Dortmund with a modern drainage system.** The impressive architecture shows that the theme of football is given a central place with this museum in the urban backdrop of Dortmund. The overall architectural concept of the architects of HPP Hentrich-Petschnigg & Partner placed high demands on the individual components in advance, also for the drainage technology installed. For this area, slotted channels were planned from the very beginning. Running underground, they integrate themselves into the overall visual impression.

## The efficiency of this channel:

- FASERFIX STANDARD 150 Channels: stable and secure
- Slotted Cover:
  - Class D 400: ideally suited for high traffic loads
  - Material: galvanised steel
  - Optics blend harmoniously into the appearance of the area
- Trash boxes with visually unobtrusive inspection chambers for access to the channel run



**DFB Football Museum  
in Dortmund, Germany**



RECYFIX® PRO
RECYFIX® PLUS
RECYFIX® STANDARD
Facade Drainage
SLOTTED CHANNELS
RECYFIX® POINT FASERFIX® POINT
RECYFIX® GREEN
LINEFIX
TOP X



# SLOTTED CHANNELS

SLOTTED CHANNELS for design-sensitive applications.

SLOTTED CHANNELS meet the requirements of DIN EN 1433 and are suitable for the following load categories:



## Category A 15, Load class 15 kN

Trafficked areas, which are exclusively used by pedestrians and cyclists



## Category B 125, Load class 125 kN

Sidewalks, pedestrian areas and comparable areas, car parks or car parking decks



## Category C 250, Load class 250 kN

Sidewalk channel areas and untraveled side panels or similar



## Category D 400, Load class 400 kN

Carriageways of roads (including pedestrian streets), sideways of roads and parking areas that are passable for all types of road vehicles.

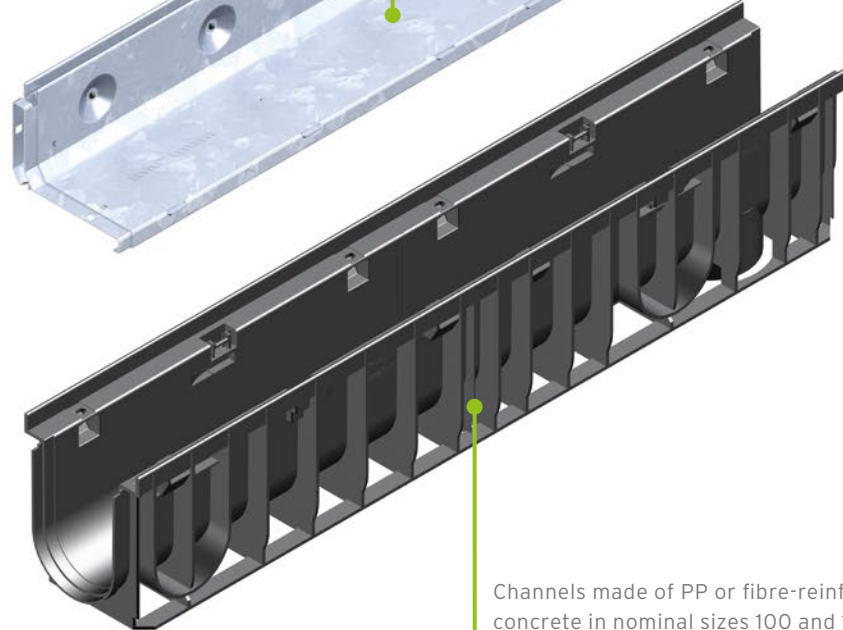
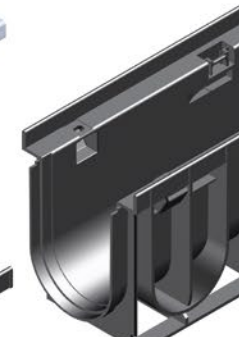


## Class E 600, Load class 600 kN

Surfaces exposed to heavy wheel loads, e. g. ports and docks

If in doubt, the higher category should be used.

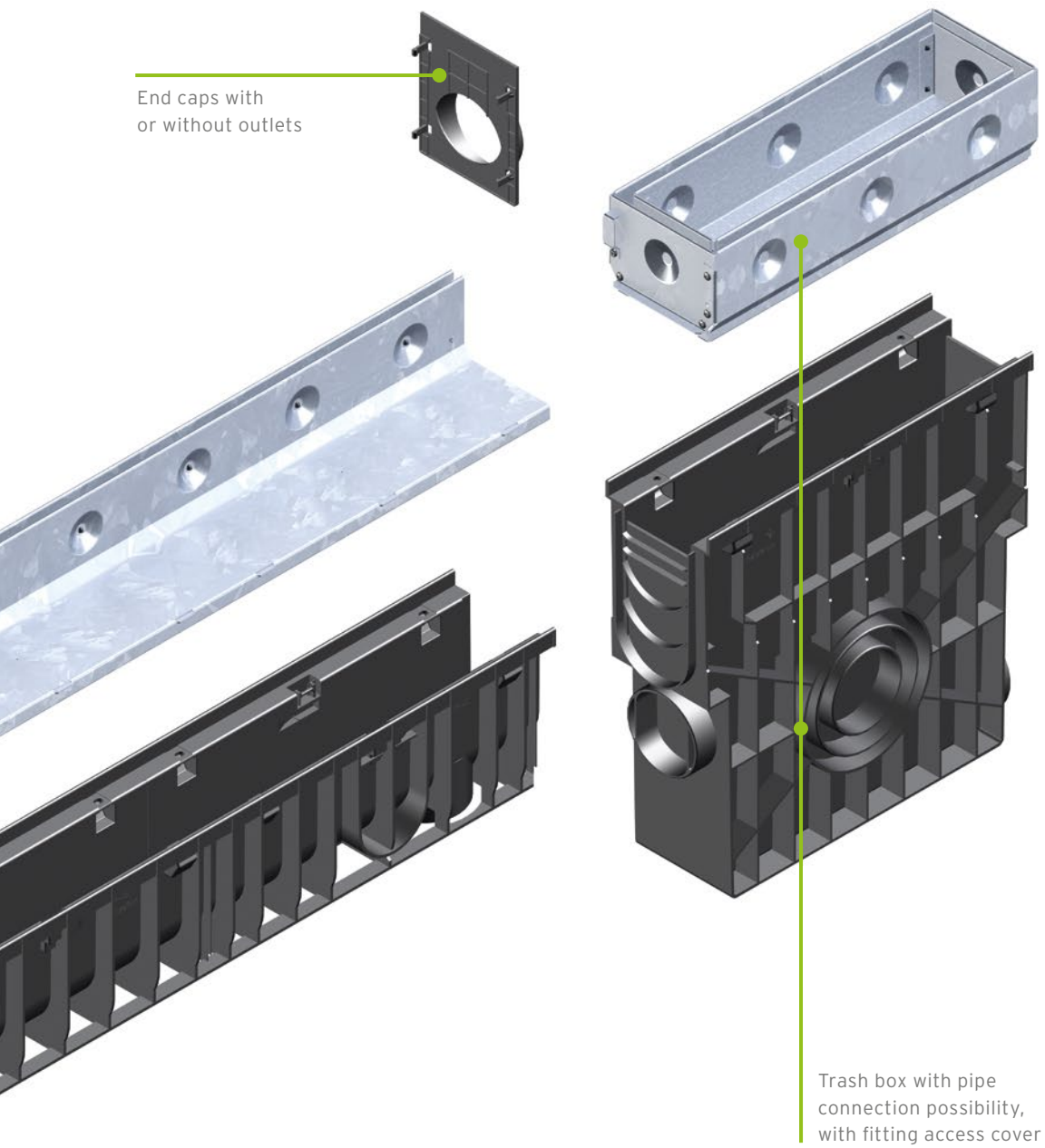
Asymmetrical covers made of galvanised or stainless steel. With integrated push connector for precise slot guidance on the surface.



Channels made of PP or fibre-reinforced concrete in nominal sizes 100 and 150, with tongue and groove connection for exact installation



End caps with or without outlets



**Easy opening of access cover by means of extraction bail**



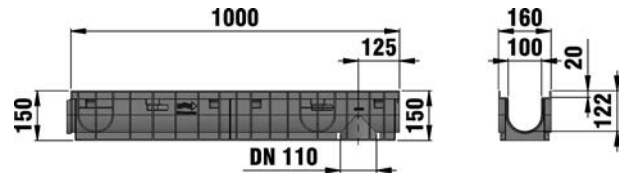
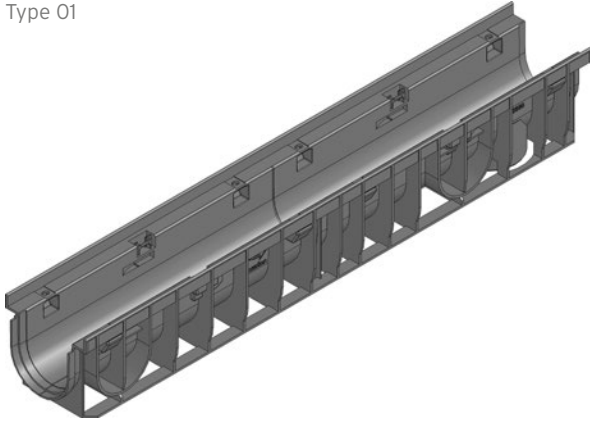
RECYFIX® PRO
RECYFIX® PLUS
RECYFIX® STANDARD
Facade Drainage
SLOTTED CHANNELS
RECYFIX® POINT FASERFIX® POINT
RECYFIX® GREEN
LINEFIX
TOP X

# SLOTTED CHANNEL 100 **NEW**

## Channels

### RECYFIX®PRO 100

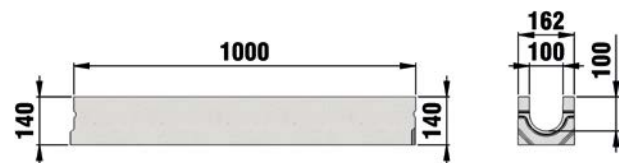
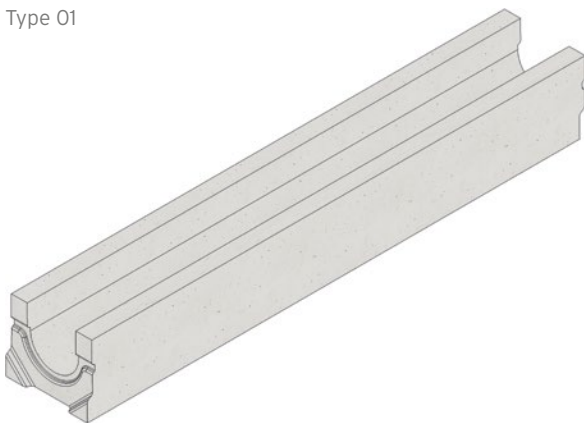
Type 01



	Length mm	Width mm	Height mm	Internal channel cross-sect. cm <sup>2</sup>	Weight kg	Item No.
Type 01	1000	160	150	92	2,20	48600
Type 0105	500	160	150	92	1,00	48649
Type 010	1000	160	200	142	2,70	48642
Type 01005	500	160	200	142	1,30	48650
Type 020	1000	160	250	192	3,60	48620
Type 02005	500	160	250	192	1,80	48629

### FASERFIX®STANDARD E 100

Type 01



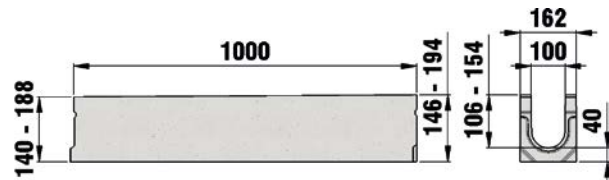
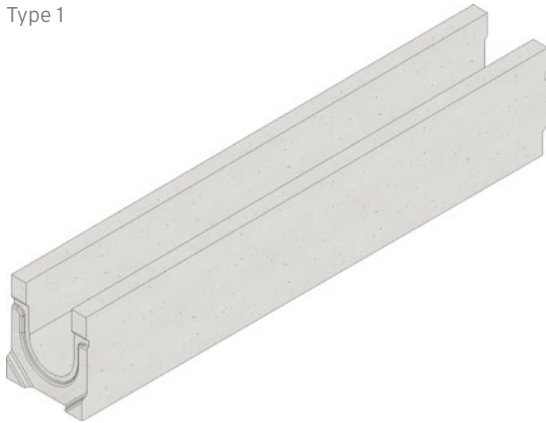
	Length mm	Width mm	Height mm	Internal channel cross-sect. cm <sup>2</sup>	Weight kg	Item No.
Type 01	1000	162	140	89	32,00	6200
Type 0105	500	162	140	89	15,00	6249
Type 01L with hole*	1000	162	140	89	30,00	6300
Type 010	1000	162	194	143	38,40	6242
Type 010L with hole*	1000	162	194	143	39,50	6342

\* Position of the opening to the bottom of the channel. 100 mm from the centre of the hole (DN/OD 110) to the end of the channel.

# SLOTTED CHANNEL 100 **NEW**

## FASERFIX®STANDARD E 100 with built-in fall 0.6 %

Type 1



	Length mm	Width mm	Height mm	Internal channel cross-sect. cm <sup>2</sup>	Weight kg	Item No.
Type 1	1000	162	140 - 146	89	32,80	6201
Type 2	1000	162	146 - 152	95	32,90	6202
Type 3	1000	162	152 - 158	101	33,80	6203
Type 4	1000	162	158 - 164	107	35,10	6204
Type 5	1000	162	164 - 170	113	35,20	6205
Type 6	1000	162	170 - 176	119	35,30	6206
Type 7	1000	162	176 - 182	125	36,50	6207
Type 8	1000	162	182 - 188	131	38,00	6208
Type 9	1000	162	188 - 194	137	38,40	6209

RECYFIX®  
PRO

RECYFIX®  
PLUS

RECYFIX®  
STANDARD

Facade Drainage

SLOTTED  
CHANNELS

RECYFIX® POINT  
FASERFIX® POINT

RECYFIX®  
GREEN

LINEFIX

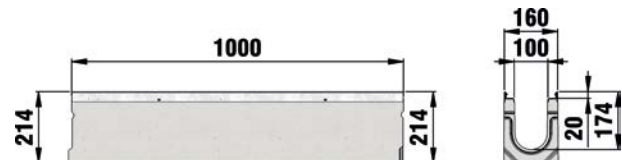
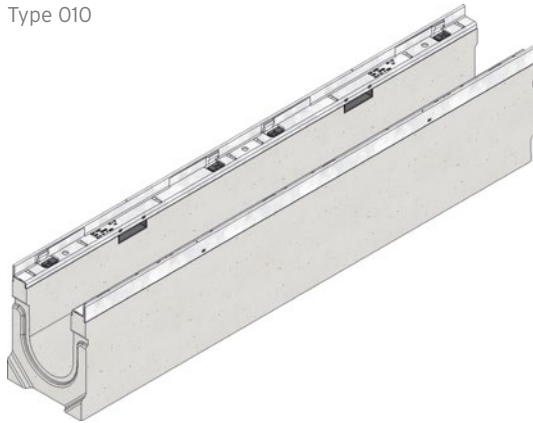
TOP X

# SLOTTED CHANNEL 100 **NEW**

## Channels

### FASERFIX®KS 100

Type 010



	Length mm	Width mm	Height mm	Internal channel cross-sect. cm <sup>2</sup>	Weight kg	Item-No. galvanised	Item-No. stainless steel
Type 01	1000	160	160	88	33,00	8000	8200
Type 0105	500	160	160	88	16,50	8049	8249
Type 01L with hole DN/OD 110*	1000	160	160	88	32,20	8045	-
Type 05	1000	160	184	113	36,30	8041	-
Type 05L with hole, DN/OD 110*	1000	160	184	113	35,40	8035	-
Type 010	1000	160	214	143	40,20	8042	8242
Type 01005	500	160	214	143	21,50	8050	-
Type 010L with hole DN/OD 110*	1000	160	214	143	39,00	8046	-
Type 015	1000	160	244	173	45,30	8043	8243
Type 015L with hole, DN/OD 110*	1000	160	244	173	45,00	8036	-
Type 020	1000	160	274	206	49,00	8044	8244
Type 020L with hole, DN/OD 110*	1000	160	274	206	48,00	8037	-

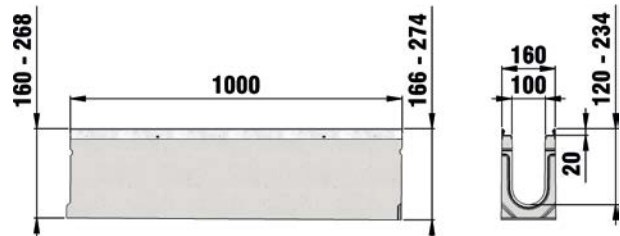
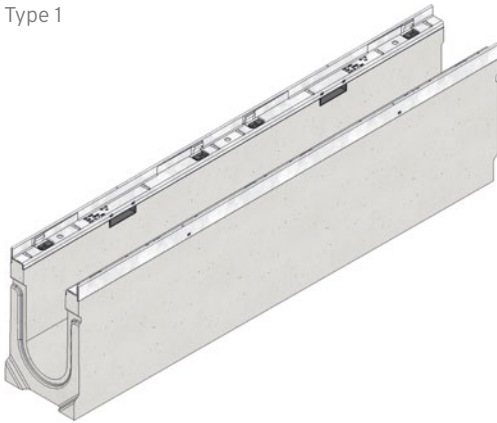
**The quality of stainless steel material corresponds to CNS 1.4301 or CNS 1.4307.**

**\* Position of the opening to the bottom of the channel. 100 mm from the centre of the hole (DN/OD 110) to the end of the channel.**

# SLOTTED CHANNEL 100 **NEW**

## FASERFIX®KS 100 with built-in fall 0.6 %

Type 1



	Length mm	Width mm	Height mm	Internal channel cross-sect. cm <sup>2</sup>	Weight kg	Item-No. galvanised	Item-No. stainless steel
Type 1	1000	160	160 - 166	89	33,00	8001	8201
Type 2	1000	160	166 - 172	95	34,10	8002	8202
Type 3	1000	160	172 - 178	101	34,70	8003	8203
Type 4	1000	160	178 - 184	107	35,60	8004	8204
Type 5	1000	160	184 - 190	113	36,80	8005	8205
Type 6	1000	160	190 - 196	119	37,20	8006	8206
Type 7	1000	160	196 - 202	125	37,90	8007	8207
Type 8	1000	160	202 - 208	131	38,90	8008	8208
Type 9	1000	160	208 - 214	137	39,50	8009	8209
Type 10	1000	160	214 - 220	143	40,00	8010	8210
Type 11	1000	160	220 - 226	149	42,20	8011	8211
Type 12	1000	160	226 - 232	155	43,50	8012	8212
Type 13	1000	160	232 - 238	161	44,00	8013	8213
Type 14	1000	160	238 - 244	167	45,00	8014	8214
Type 15	1000	160	244 - 250	173	45,00	8015	8215
Type 16	1000	160	250 - 256	179	45,50	8016	8216
Type 17	1000	160	256 - 262	185	46,80	8017	8217
Type 18	1000	160	262 - 268	191	47,70	8018	8218
Type 19	1000	160	268 - 274	197	48,00	8019	8219

The quality of stainless steel material corresponds to CNS 1.4301 or CNS 1.4307.

RECYFIX®  
PRO

RECYFIX®  
PLUS

RECYFIX®  
STANDARD

Facade Drainage

SLOTTED  
CHANNELS

RECYFIX® POINT  
FASERFIX® POINT

RECYFIX®  
GREEN

LINEFIX

TOP X

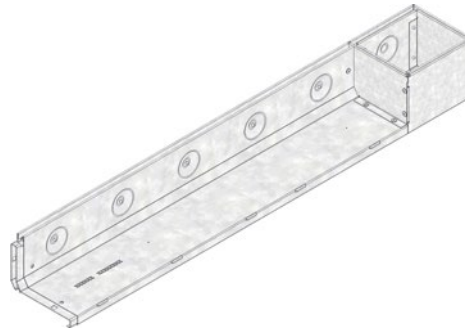
# SLOTTED CHANNEL 100 **NEW**

## Gratings

### SLOTTED COVERS 100, neck height 105 mm, class A 15



Asymmetrical,  
SW 10 mm



Asymmetrical, with integrated  
access cover right, SW 10 mm



Extraction bail  
for access covers  
(2 pieces required)

	Length mm	Width mm	Height mm	Intake cross-sect. cm <sup>2</sup> /m	Weight kg	Item-No. galvanised	Item-No. stainless steel
Asymmetrical, SW 10 mm	1000	155	125	-	4,70	32245	32246
Asymmetrical, SW 10 mm	500	155	125	-	2,40	32275	32276
Asymmetrical, with integrated access cover right, SW 10 mm	1000	153	125	-	155	32295	32296
Asymmetrical, with integrated access cover left, SW 10 mm	1000	155	125	-	-	32796	32797
Access cover asymmetrical, SW 10 mm	500	163	125	-	3,80	32301	32302
End cap, closed	-	288	123	-	0,10	32836	32837
Sludge trap inlay, for slotted cover SW 10 mm	1000	10	39	-	0,40	32846	32847
Extraction bail for access covers (2 pieces required)	-	400	150	-	0,80	740	-

**The quality of stainless steel material corresponds to CNS 1.4301 or CNS 1.4307.**

# SLOTTED CHANNEL 100 NEW

## SLOTTED COVERS 100, neck height 105 mm, class C 250



Asymmetrical,  
SW 12mm



Asymmetrical, duo slot,  
SW 2 x 6 mm



End cap,  
closed

	Length mm	Width mm	Height mm	Intake cross-sect. cm <sup>2</sup> /m	Weight kg	Item-No. galvanised	Item-No. stainless steel
Asymmetrical, SW 12 mm	1000	156	126	-	6,00	32247	32248
Asymmetrical, SW 12 mm	500	156	126	-	3,20	32277	32278
Access cover asymmetrical, SW 12 mm	500	163	126	-	5,20	32303	32304
Asymmetrical, duo slot, SW 2 x 6 mm	1000	156	126	-	8,30	32253	32254
Asymmetrical, duo slot, SW 2 x 6 mm	500	156	126	-	4,50	32283	32284
Access cover asymmetrical, duo slot, SW 2 x 6 mm	500	163	125	-	6,70	32746	32747
End cap, closed	-	284	124	-	0,10	32838	32839
Sludge trap inlay, for slotted cover SW 12 mm	1000	12	37	-	0,40	32848	32849
End cap for duo slot, closed	-	279	124	-	0,10	32844	32845
Extraction bail for access covers (2 pieces required)	-	400	150	-	0,80	740	-
Extraction bail for access covers (2 pieces required)	31	6	192	-	0,10	32850	-

The quality of stainless steel material corresponds to CNS 1.4301 or CNS 1.4307.

RECYFIX®  
PRO

RECYFIX®  
PLUS

RECYFIX®  
STANDARD

Facade Drainage

SLOTTED  
CHANNELS

RECYFIX® POINT  
FASERFIX® POINT

RECYFIX®  
GREEN

LINEFIX

TOP X



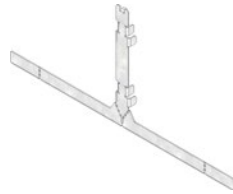
# SLOTTED CHANNEL 100 **NEW**

## Gratings

### SLOTTED COVERS 100, neck height 160 mm, class C 250



Asymmetrical,  
SW 12 mm



End cap,  
closed



Extraction bail  
for access covers  
(2 pieces required)

	Length mm	Width mm	Height mm	Intake cross-sect. cm <sup>2</sup> /m	Weight kg	Item-No. galvanised	Item-No. stainless steel
Asymmetrical, SW 12 mm	1000	156	181	-	7,20	32249	32250
Asymmetrical, SW 12 mm	500	156	181	-	4,00	32279	-
Access cover asymmetrical, SW 12 mm	500	163	181	-	6,90	32305	32306
End cap, closed	-	384	179	-	0,20	32840	32841
Sludge trap inlay, for slotted cover SW 12 mm	1000	12	37	-	0,40	32848	32849
Extraction bail for access covers (2 pieces required)	-	400	150	-	0,80	740	-

**The quality of stainless steel material corresponds to CNS 1.4301 or CNS 1.4307.**

# SLOTTED CHANNEL 100 **NEW**

## SLOTTED COVERS 100, neck height 200 mm, class D 400\*



Asymmetrical,  
SW 14 mm



Extraction bail  
for access covers  
(2 pieces required)

	Length mm	Width mm	Height mm	Intake cross-sect. cm <sup>2</sup> /m	Weight kg	Item-No. galvanised	Item-No. stainless steel
Asymmetrical, SW 14 mm	1000	156	222	-	10,70	32251	32252
Asymmetrical, SW 14 mm	500	156	222	-	5,70	32281	32282
Access cover asymmetrical, SW 14 mm	500	163	222	-	10,40	32307	32308
End cap, closed	-	380	219	-	0,20	32842	32843
Extraction bail for access covers (2 pieces required)	-	400	150	-	0,80	740	-

**\* Not for use across the carriageway of highways or motorways in moving traffic.  
The quality of stainless steel material corresponds to CNS 1.4301 or CNS 1.4307.**

RECYFIX®  
PRO

RECYFIX®  
PLUS

RECYFIX®  
STANDARD

Facade Drainage

SLOTTED  
CHANNELS

RECYFIX® POINT  
FASERFIX® POINT

RECYFIX®  
GREEN

LINEFIX

TOP X

# SLOTTED CHANNEL 100 **NEW**

## Gratings

**SLOTTED COVERS 100**, neck height 200 mm, **class E 600\***



Asymmetrical,  
SW 18 mm



Access cover asymmetrical,  
SW 18 mm



Extraction bail  
for access covers  
(2 pieces required)

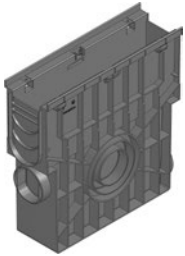
	Length mm	Width mm	Height mm	Intake cross-sect. cm <sup>2</sup> /m	Weight kg	Item-No. galvanised	Item-No. stainless steel
Asymmetrical, SW 18 mm	1000	160	204	180	19,00	32816	32817
Asymmetrical, SW 18 mm	500	160	204	180	9,40	32818	32819
Access cover asymmetrical, SW 18 mm	500	160	204	-	18,60	32824	32825
Extraction bail for access covers (2 pieces required)	-	400	150	-	0,80	740	-

**The quality of stainless steel material corresponds to CNS 1.4301 or CNS 1.4307.**

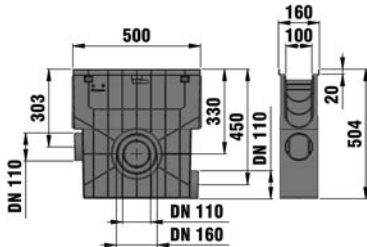
# SLOTTED CHANNEL 100 **NEW**

## Accessories

### RECYFIX®PRO 100



Trash box with PE mud bucket



End cap closed for type 01



End cap made of PP with outlet DN/OD 110, type 01



Foul air trap for RECYFIX trash box 100



Foul air trap, vertical, DN/OD 110



Foul air trap set, vertical DN/OD 110 for RECYFIX 100



Mud bucket vertical made of modified composite for outlet DN/OD 110, black

	Length mm	Width mm	Height mm	Weight kg	Item No.
Trash box with PE mud bucket	500	160	504	4,40	48652
End cap closed for type 01	-	160	124	-	48681
End cap made of PP with outlet DN/OD 110, type 01	-	160	201	0,10	48691
End cap closed for type 010	-	160	176	0,10	47082
End cap made of PP with outlet DN/OD 110, type 010	-	160	201	0,10	47093
End cap made of PP, type 020	-	160	250	0,10	48683
End cap made of PP with outlet DN/OD 110, type 020	-	160	250	0,10	48695
Foul air trap for RECYFIX trash box 100	75	78	135	0,10	967
Foul air trap, vertical, DN/OD 110	-	187	181	0,60	40295
Foul air trap set, vertical DN/OD 110 for RECYFIX 100	-	-	203	0,40	40294
Foul air trap DN/OD 110, outside	-	-	-	0,40	961
Adaptor for DN/OD 75 to PVC-U pipe DN/OD 110	-	-	-	0,10	1193
Mud bucket vertical made of modified composite for outlet DN/OD 110, black	100	100	85	-	40293
Universal sealant/adhesive Siga-Meltell® 220 black**	-	-	-	1,00	19051
Tubular pistol for universal sealant/adhesive Siga-Meltell® 220 black**	-	-	-	1,30	6891
Holesaw, Ø 102 mm, with tool holder for a driller	-	-	-	0,60	980

RECYFIX®  
PRO

RECYFIX®  
PLUS

RECYFIX®  
STANDARD

Facade Drainage

SLOTTED  
CHANNELS

RECYFIX® POINT  
FASERFIX® POINT

RECYFIX®  
GREEN

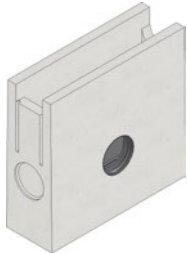
LINEFIX

TOP X

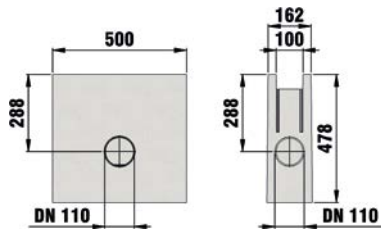
# SLOTTED CHANNEL 100 **NEW**

## Accessories

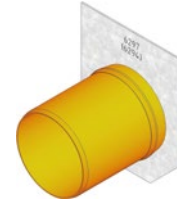
### FASERFIX® STANDARD E 100



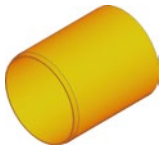
Trash box with plastic bucket



End cap closed, galvanised, type 01



End cap with horizontal PVC-U pipe outlet DN/OD 110, galvanised, type 010



PVC-U pipe outlet, DN/OD 110



Mud bucket vertical made of modified composite for outlet DN/OD 110, black



Mitre cuts NW 100 (price per cut, two cuts necessary)



Factory-made insertion of PVC-U union connectors DN/OD 110 (incl. drilling)

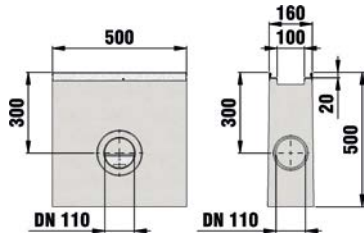
	Length mm	Width mm	Height mm	Weight kg	Item No.
Trash box with plastic bucket	500	162	478	46,00	6253
Trash box with galvanised bucket	500	162	478	42,40	6255
End cap closed, galvanised, type 01	-	160	140	0,30	6290
End cap closed, galvanised, type 010	-	160	194	0,40	6291
End cap with horizontal PVC-U pipe outlet DN/OD 110, galvanised, type 010	-	160	194	0,50	6297
Foul air trap DN/OD 110 with hole	-	-	103	0,20	964
Foul air trap, horizontal, with rubber sealing, black	-	-	-	0,10	966
PVC-U pipe outlet, DN/OD 110	-	-	-	0,20	903
Mud bucket vertical made of modified composite for outlet DN/OD 110, black	100	100	85	-	40293
Cutting to length of NW 100	-	-	-	-	994
Mitre cuts NW 100 (price per cut, two cuts necessary)	-	-	-	-	999
Drilling of connecting holes DN/OD 75	-	-	-	-	971
Drilling of connecting holes DN/OD 110	-	-	-	-	977
Factory-made insertion of modified PP union connectors DN/OD 75 (incl. drilling)	-	-	-	-	981
Factory-made insertion of PVC-U union connectors DN/OD 110 (incl. drilling)	-	-	-	-	982

# SLOTTED CHANNEL 100 **NEW**

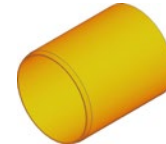
## FASERFIX®KS 100



Trash box with galvanised bucket



End cap closed, type 010



PVC-U pipe outlet, DN/OD 110



Mud bucket vertical made of modified composite for outlet DN/OD 110, black



Factory-made insertion of PVC-U union connectors DN/OD 110 (incl. drilling)

	Length mm	Width mm	Height mm	Weight kg	Item-No. galvanised	Item-No. stainless steel
Trash box with galvanised bucket	500	160	500	50,00	8053	-
Trash box with composite bucket	500	160	500	47,70	8052	8252
End cap closed, type 01	-	160	160	0,40	8081	8181
End cap closed, type 010	-	160	214	0,50	8082	8182
End cap closed, type 020	-	160	274	0,60	8083	8183
End cap with horizontal PVC-U pipe outlet DN/OD 110, type 010	-	160	214	0,60	8087	8186
End cap with horizontal PVC-U pipe outlet DN/OD 110, type 020	-	160	274	0,70	8089	8187
Foul air trap, horizontal, with rubber sealing, black	-	-	-	0,10	966	-
Foul air trap DN/OD 110 with hole	-	-	103	0,20	964	-
Foul air trap DN/OD 110, outside	-	-	-	0,40	961	-
PVC-U pipe outlet, DN/OD 110	-	-	-	0,20	903	-
PVC mud bucket for trash box, 50 cm	420	85	152	0,20	940	-
Mud bucket vertical made of modified composite for outlet DN/OD 110, black	100	100	85	-	40293	-
Universal sealant/adhesive Siga-Meltell® 220 black**	-	-	-	1,00	19051	-
Tubular pistol for universal sealant/adhesive Siga-Meltell® 220 black**	-	-	-	1,30	6891	-
Installation aid NW 100 [2 pieces required] - due to security reasons no return can be made	-	-	-	1,60	705	-
Cutting to length of NW 100	-	-	-	-	990	-
Mitre cuts NW 100 (price per cut, two cuts necessary)	-	-	-	-	995	-
Drilling of connecting holes DN/OD 75	-	-	-	-	971	-
Drilling of connecting holes DN/OD 110	-	-	-	-	972	-
Factory-made insertion of modified PP union connectors DN/OD 75 (incl. drilling)	-	-	-	-	981	-
Factory-made insertion of PVC-U union connectors DN/OD 110 (incl. drilling)	-	-	-	-	982	-
Fixing-system EP, empty pipe in the channel bottom, [2 pieces per metre]	-	-	-	-	703	-
steel bars for fixing system EP [2 pieces per metre]	-	-	-	-	704	-

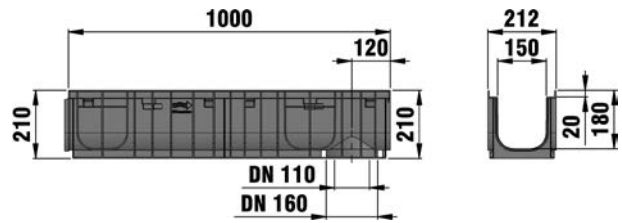
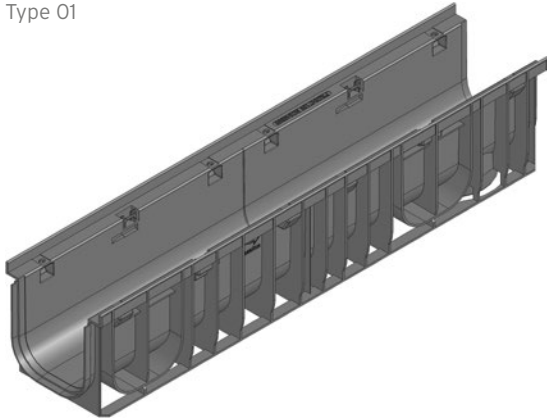
The quality of stainless steel material corresponds to CNS 1.4301 or CNS 1.4307.

# SLOTTED CHANNEL 150 **NEW**

## Channels

### RECYFIX®PRO 100

Type 01

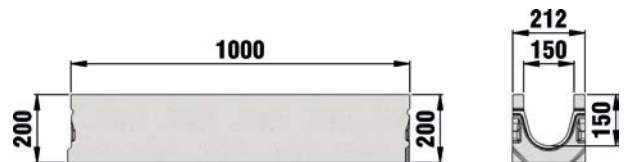
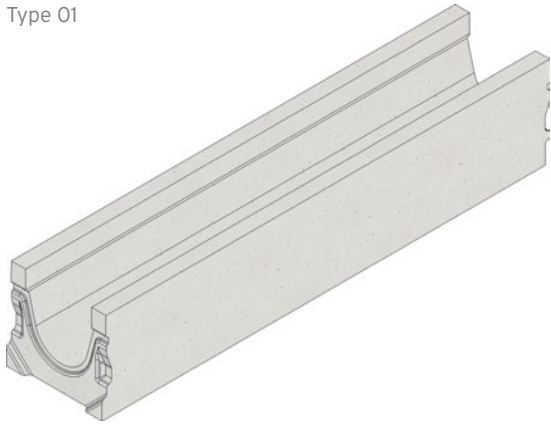


	Length mm	Width mm	Height mm	Internal channel cross-sect. cm <sup>2</sup>	Weight kg	Item No.
Type 01	1000	212	210	230	3,20	47100
Type 0105	500	212	210	230	1,60	47149

# SLOTTED CHANNEL 150 **NEW**

## FASERFIX®STANDARD 150

Type 01



	Length mm	Width mm	Height mm	Internal channel cross-sect. cm <sup>2</sup>	Weight kg	Item No.
Type 01	1000	212	200	185	52,90	400
Type 0105	500	212	200	185	26,50	401
Type 010	1000	212	245	269	62,10	403

RECYFIX®  
PRO

RECYFIX®  
PLUS

RECYFIX®  
STANDARD

Facade Drainage

SLOTTED  
CHANNELS

RECYFIX® POINT  
FASERFIX® POINT

RECYFIX®  
GREEN

LINEFIX

TOP X

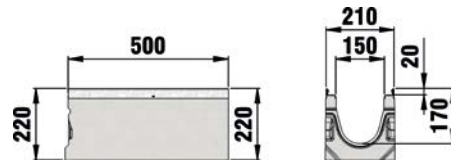
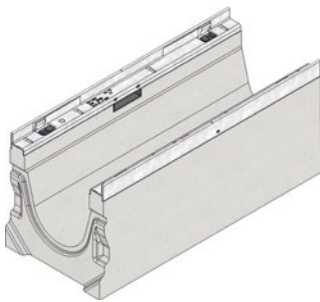


# SLOTTED CHANNEL 150 **NEW**

## Channels

### FASERFIX®KS 100

Type 0105



	Length mm	Width mm	Height mm	Internal channel cross-sect. cm <sup>2</sup>	Weight kg	Item-No. galvanised	Item-No. stainless steel
Type 01	1000	210	220	185	54,50	11000	11500
Type 01L, with hole DN/OD 160*	1000	210	220	185	54,00	11035	-
Type 0105	500	210	220	185	27,00	11049	-
Type 010	1000	210	265	245	60,20	11042	11542
Type 010L with hole, DN/OD 160*	1000	210	265	245	61,00	11036	-
Type 015	1000	210	290	282	66,00	11043	-
Type 020	1000	210	315	312	69,60	11044	11544
Type 020L, with opening DN/OD 160*	1000	210	315	312	68,00	11037	-

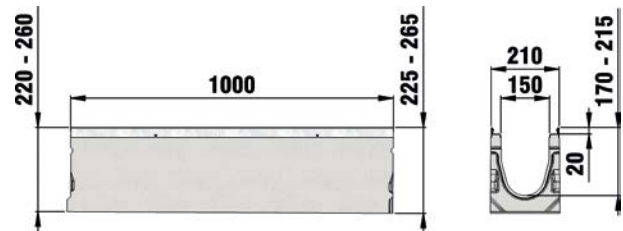
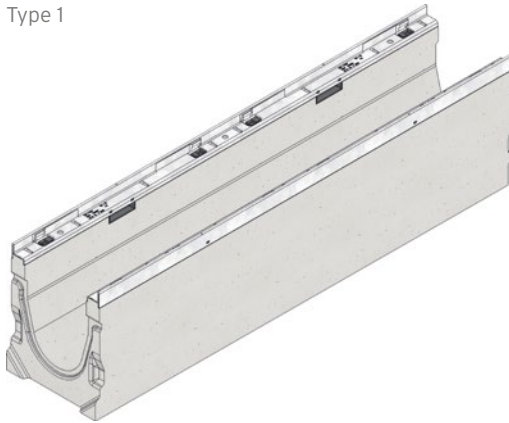
**The quality of stainless steel material corresponds to CNS 1.4301 or CNS 1.4307.**

**\* Position of the opening to the bottom of the channel. 130 mm from the centre of the hole (DN/OD 160) to the end of the channel.**

# SLOTTED CHANNEL 150 **NEW**

## FASERFIX®KS 100 with built-in fall 0.6 %

Type 1



	Length mm	Width mm	Height mm	Internal channel cross-sect. cm <sup>2</sup>	Weight kg	Item-No. galvanised	Item-No. stainless steel
Type 1	1000	210	220 - 225	186	54,60	11001	11501
Type 2	1000	210	225 - 230	196	55,00	11002	11502
Type 3	1000	210	230 - 235	203	55,90	11003	11503
Type 4	1000	210	235 - 240	211	56,70	11004	11504
Type 5	1000	210	240 - 245	218	57,20	11005	11505
Type 6	1000	210	245 - 250	226	58,00	11006	11506
Type 7	1000	210	250 - 255	233	58,40	11007	11507
Type 8	1000	210	255 - 260	241	59,00	11008	11508
Type 9	1000	210	260 - 265	248	59,80	11009	11509

The quality of stainless steel material corresponds to CNS 1.4301 or CNS 1.4307.

RECYFIX®  
PRO

RECYFIX®  
PLUS

RECYFIX®  
STANDARD

Facade Drainage

SLOTTED  
CHANNELS

RECYFIX® POINT  
FASERFIX® POINT

RECYFIX®  
GREEN

LINEFIX

TOP X

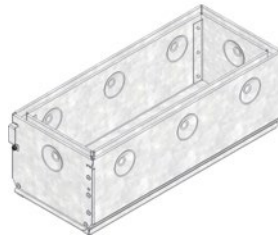
# SLOTTED CHANNEL 150 **NEW**

## Gratings

### SLOTTED COVERS 150, neck height 160 mm, class C 250



Asymmetrical,  
SW 12 mm



Access cover asymmetrical,  
SW 12 mm



End cap,  
closed

	Length mm	Width mm	Height mm	Intake cross-sect. cm <sup>2</sup> /m	Weight kg	Item-No. galvanised	Item-No. stainless steel
Asymmetrical, SW 12 mm	1000	206	181	-	8,20	32400	32401
Asymmetrical, SW 12 mm	500	206	181	-	4,50	32404	32405
Access cover asymmetrical, SW 12 mm	500	213	181	-	-	32731	32732
End cap, closed	-	384	179	-	0,20	32840	32841
Sludge trap inlay, for slotted cover SW 12 mm	1000	12	37	-	0,40	32848	32849
Extraction bail for access covers (2 pieces required)	-	400	150	-	0,80	740	-

**The quality of stainless steel material corresponds to CNS 1.4301 or CNS 1.4307.**

# SLOTTED CHANNEL 150 NEW

## SLOTTED COVERS 150, neck height 200 mm, class D 400\*



Asymmetrical,  
SW 14 mm



Access cover asymmetrical,  
SW 14 mm



Extraction bail  
for access covers  
(2 pieces required)

	Length mm	Width mm	Height mm	Intake cross-sect. cm <sup>2</sup> /m	Weight kg	Item-No. galvanised	Item-No. stainless steel
Asymmetrical, SW 14 mm	1000	206	222	-	11,70	32402	32403
Asymmetrical, SW 14 mm	500	206	222	-	6,10	32406	32407
Access cover asymmetrical, SW 14 mm	500	213	222	-	-	32733	32734
End cap, closed	-	380	219	-	0,20	32842	32843
Extraction bail for access covers (2 pieces required)	-	400	150	-	0,80	740	-

**\* Not for use across the carriageway of highways or motorways in moving traffic.  
The quality of stainless steel material corresponds to CNS 1.4301 or CNS 1.4307.**

RECYFIX®  
PRO

RECYFIX®  
PLUS

RECYFIX®  
STANDARD

Facade Drainage

SLOTTED  
CHANNELS

RECYFIX® POINT  
FASERFIX® POINT

RECYFIX®  
GREEN

LINEFIX

TOP X

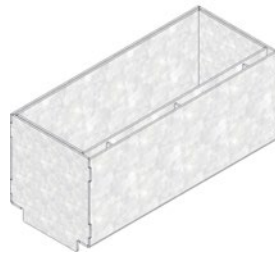
# SLOTTED CHANNEL 150 **NEW**

## Gratings

**SLOTTED COVERS 150**, neck height 200 mm, **class E 600\***



Asymmetrical,  
SW 18 mm



Access cover asymmetrical,  
SW 18 mm



Extraction bail  
for access covers  
(2 pieces required)

	Length mm	Width mm	Height mm	Intake cross-sect. cm <sup>2</sup> /m	Weight kg	Item-No. galvanised	Item-No. stainless steel
Asymmetrical, SW 18 mm	1000	210	204	-	20,40	32820	32821
Asymmetrical, SW 18 mm	500	210	204	-	10,00	32822	32823
Access cover asymmetrical, SW 18 mm	500	210	204	-	20,40	32830	32831
Extraction bail for access covers (2 pieces required)	-	400	150	-	0,80	740	-

**The quality of stainless steel material corresponds to CNS 1.4301 or CNS 1.4307.**

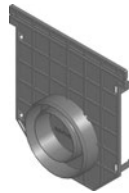
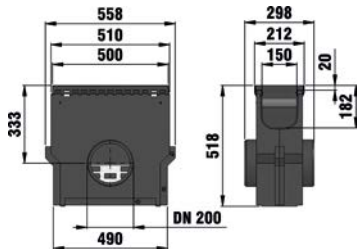
# SLOTTED CHANNEL 150 NEW

## Accessories

### RECYFIX® PRO 150



Trash box with KTL frames and galvanised mud bucket



End cap combined, PP with outlet DN/OD 75/110 for type O1



Mud bucket vertical made of modified composite for outlet DN/OD 110, black



Mud bucket for outlet DN/OD 160



Foul air trap, vertical, DN/OD 110



Foul air trap set, vertical DN/OD 110 for RECYFIX 100

	Length mm	Width mm	Height mm	Weight kg	Item No.
Trash box with KTL frames and galvanised mud bucket	500	212	518	16,60	47151
End cap combined, PP with outlet DN/OD 75/110 for type O1	-	210	218	0,10	40591
Mud bucket vertical made of modified composite for outlet DN/OD 110, black	100	100	85	-	40293
Mud bucket vertical made of modified composite for outlet DN/OD 160, black	-	-	-	0,10	845
Mud bucket for outlet DN/OD 160	-	-	180	0,80	2191
Foul air trap, vertical, DN/OD 110	-	187	181	0,60	40295
Foul air trap set, vertical DN/OD 110 for RECYFIX 100	-	-	203	0,40	40294
Universal sealant/adhesive Siga-Meltell® 220 black**	-	-	-	1,00	19051
Tubular pistol for universal sealant/adhesive Siga-Meltell® 220 black**	-	-	-	1,30	6891
Holesaw, Ø 102 mm, with tool holder for a driller	-	-	-	0,60	980

RECYFIX®  
PRO

RECYFIX®  
PLUS

RECYFIX®  
STANDARD

Facade Drainage

SLOTTED  
CHANNELS

RECYFIX® POINT  
FASERFIX® POINT

RECYFIX®  
GREEN

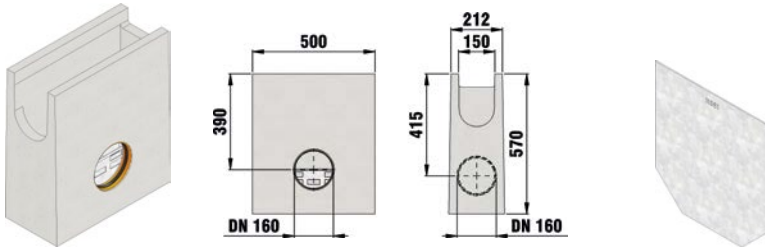
LINEFIX

TOP X

# SLOTTED CHANNEL 150 **NEW**

## Accessories

### FASERFIX®KS 150



Trash box  
with galvanised  
mud bucket

End cap closed,  
type 01

	Length mm	Width mm	Height mm	Weight kg	Item-No. galvanised	Item-No. stainless steel
Trash box with galvanised mud bucket	500	212	570	64,60	416	-
Foul air trap DN/OD 160	584	160	439	2,00	960	-
PVC-U pipe connection element DN/OD 160	-	-	-	0,50	906	-
End cap closed, type 01	-	210	220	0,70	11081	11581
End cap closed, type 010	-	210	265	0,80	11082	11582

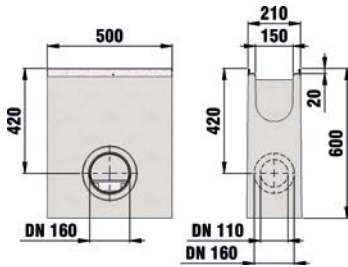
**The quality of stainless steel material corresponds to CNS 1.4301 or CNS 1.4307.**

# SLOTTED CHANNEL 150 **NEW**

## FASERFIX® STANDARD 150



Trash box with galvanised bucket



End cap closed, type 01



Mud bucket for outlet DN/OD 160



Drilling of connecting holes DN/OD 160



Factory-made insertion of PVC-U union connectors DN/OD 160 (incl. drilling)

	Length mm	Width mm	Height mm	Weight kg	Item-No. galvanised	Item-No. stainless steel
Trash box with galvanised bucket	500	210	600	65,30	11052	11552
End cap closed, type 01	-	210	220	0,70	11081	11581
End cap closed, type 010	-	210	265	0,80	11082	11582
End cap closed, type 020	-	210	315	1,00	11083	11583
End cap with horizontal PVC-U pipe outlet DN/OD 160, type 01 - 010	-	210	265	1,00	11087	11587
End cap with horizontal PVC-U pipe outlet DN/OD 160, type 020	-	210	315	1,10	11088	11588
Foul air trap DN/OD 160	584	160	439	2,00	960	-
PVC-U pipe connection element DN/OD 160	-	-	-	0,50	906	-
Mud bucket for outlet DN/OD 160	-	-	180	0,80	2191	-
Universal sealant/adhesive Siga-Meltell® 220 black**	-	-	-	1,00	19051	-
Tubular pistol for universal sealant/adhesive Siga-Meltell® 220 black**	-	-	-	1,30	6891	-
Installation aid NW 150 (2 pieces required) - due to security reasons no return can be made	-	-	-	2,10	136018	-
Cutting to length of NW 150	-	-	-	-	991	-
Mitre cuts NW 150 (price per cut, two cuts necessary)	-	-	-	-	996	-
Drilling of connecting holes DN/OD 160	-	-	-	-	973	-
Factory-made insertion of PVC-U union connectors DN/OD 160 (incl. drilling)	-	-	-	-	983	-
Fixing-system EP, empty pipe in the channel bottom, (2 pieces per metre)	-	-	-	-	703	-
steel bars for fixing system EP (2 pieces per metre)	-	-	-	-	704	-

The quality of stainless steel material corresponds to CNS 1.4301 or CNS 1.4307.

RECYFIX®  
PRO

RECYFIX®  
PLUS

RECYFIX®  
STANDARD

Facade Drainage

SLOTTED  
CHANNELS

RECYFIX® POINT  
FASERFIX® POINT

RECYFIX®  
GREEN

LINEFIX

TOP X



# YOUR BENEFITS WITH SLOTTED CHANNELS FLAT

## PRODUCT RANGE

- monolithic slotted channel with flat channel body
- ideally suited for low installation heights
- two different neck heights for standard slab/paving thicknesses

**= FLEXIBILITY / COST SAVINGS**



## CLOSED OR PERFORATED CHANNEL BODY

- variable versions according to requirements
- as closed or perforated version for surface water drainage or for onsite infiltration

**= DESIGN FLEXIBILITY**



## CORNER ELEMENT

- 90 ° inner and outer corner available
- can be used at any point on the channel run, even when shortening the channel elements

**= DESIGN FLEXIBILITY / COST SAVINGS**



## CONNECTOR

- guaranteed flush-mounted installation
- secures the channel against displacement
- can be used at any point on the channel run, also when shortening the channel elements

**= PERFORMANCE ASSURED / DESIGN FLEXIBILITY**



## END CAP

- unique end cap
- no penetration of foundation material
- permanently fixed via clip function

**= COST SAVINGS**



## INSPECTION BOX

- serves for cleaning and maintenance of the channel run
- enables vertical connection to the drainage pipe
- removable cover can be filled with the surrounding surface coating
- homogeneous appearance
- can be placed variably in the channel run, also on shortened channel elements
- slot continues to run seamlessly

**= QUALITY & PERFORMANCE ASSURED**



## SLUDGE TRAP INLAY FOR CHANNEL SLOT

- keeps away coarse dirt
- reduces the slot width for pedestrian areas
- can be retrofitted if required
- clippable

**= QUALITY & PERFORMANCE ASSURED**



## MATERIAL

- galvanised or stainless steel
- can be selected according to requirements

**= DESIGN FLEXIBILITY / LONGEVITY**



**IDEAL FOR ...**

spaces and surfaces with high aesthetic demands, in particular flat installation situations.

**1**

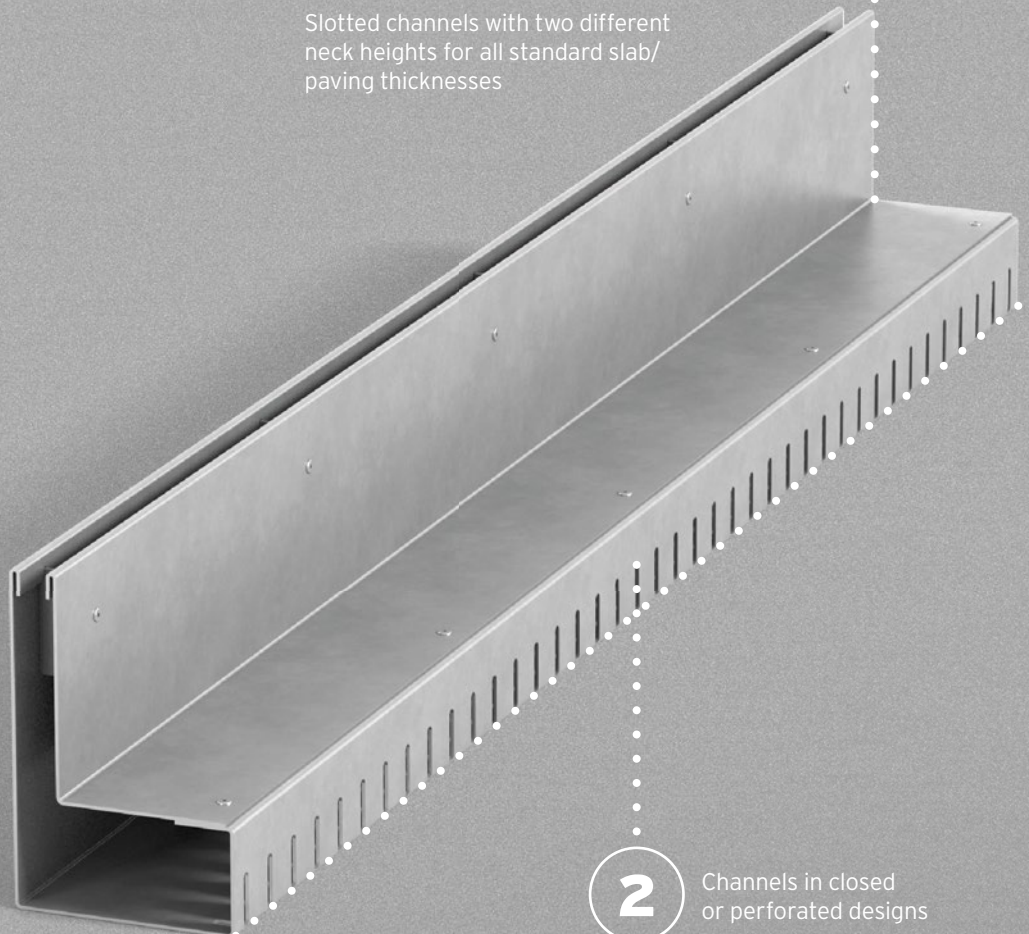
Slotted channels with two different neck heights for all standard slab/paving thicknesses

**2**

Channels in closed or perforated designs

**3**

Flat channel body with two different neck heights

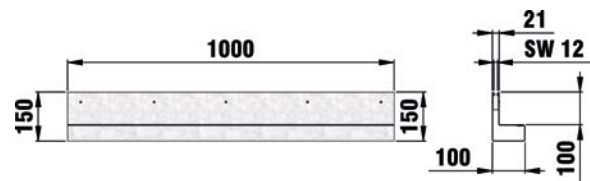


# SLOTTED CHANNEL FLAT 100

## Monolithic Slotted Channels

Construction height 150 mm, neck height 100 mm, **class A 15**

Type 150, asymmetric



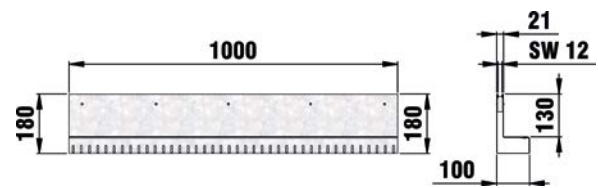
	Length mm	Width mm	Height mm	Internal channel cross-sect. cm <sup>2</sup>	Intake cross-sect. cm <sup>2</sup> /m	Weight kg	Item-No. galvanised	Item-No. stainless steel
Type 150, asymmetric, perforated on one side	1000	100	150	49.17	120	6,10	32195	32196
Type 150, asymmetric	1000	100	150	49.17	120	6,20	32197	32198

**The quality of stainless steel material corresponds to CNS 1.4301.**

# SLOTTED CHANNEL FLAT 100

Construction height 180 mm, neck height 130 mm, **class A 15**

Type 180, asymmetric, perforated on one side



	Length mm	Width mm	Height mm	Internal channel cross-sect. cm <sup>2</sup>	Intake cross-sect. cm <sup>2</sup> /m	Weight kg	Item-No. galvanised	Item-No. stainless steel
Type 180, asymmetric, perforated on one side	1000	100	180	58.24	120	6,70	32199	32200
Type 180, asymmetric	1000	100	180	58.24	120	6,80	32201	32202

**The quality of stainless steel material corresponds to CNS 1.4301.**

RECYFIX®  
PRO

RECYFIX®  
PLUS

RECYFIX®  
STANDARD

Facade Drainage

SLOTTED  
CHANNELS

RECYFIX® POINT  
FASERFIX® POINT

RECYFIX®  
GREEN

LINEFIX

TOP X

# SLOTTED CHANNEL FLAT 100

## Accessories

### Inspection box



Access box with removeable paveable cover, type 150, neck height 100 mm, asymmetric

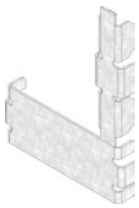


Access box with removeable paveable cover, type 180, neck height 130 mm, asymmetric

	Length mm	Width mm	Height mm	Weight kg	Item-No. galvanised	Item-No. stainless steel
Access box with removeable paveable cover, type 150, neck height 100 mm, asymmetric	253	270	150	5,40	32163	32164
Access box with removeable paveable cover, type 180, neck height 130 mm, asymmetric	253	270	180	6,20	32165	32166

**The quality of stainless steel material corresponds to CNS 1.4301.**

### End caps



End cap type 150, upper and lower part, closed



End cap type 180, upper and lower part, closed

	Length mm	Width mm	Height mm	Weight kg	Item-No. galvanised	Item-No. stainless steel
End cap type 150, upper and lower part, closed	-	-	-	0,10	32147	32149
End cap type 180, upper and lower part, closed	-	-	-	0,10	32148	32150

**The quality of stainless steel material corresponds to CNS 1.4301.**

# SLOTTED CHANNEL FLAT 100

## Connector

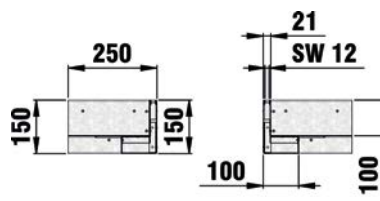
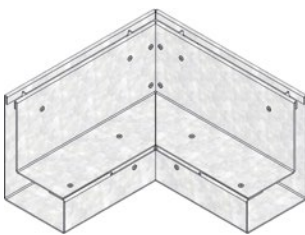


Connector for type 150

	Length mm	Width mm	Height mm	Weight kg	Item-No. galvanised	Item-No. stainless steel
Connector for type 150	-	-	-	0,20	32219	32220
Connector for type 180	-	-	-	0,20	32180	32181

The quality of stainless steel material corresponds to CNS 1.4301.

## Further accessories



Corner element inside corner,  
type 150, neck height 100 mm,  
asymmetric

	Length mm	Width mm	Height mm	Weight kg	Item-No. galvanised	Item-No. stainless steel
Corner element inside corner, type 150, neck height 100 mm, asymmetric	250	100	150	3,10	32203	32204
Corner element inside corner, type 180, neck height 130 mm, asymmetric	250	100	180	3,30	32205	32206
Corner element outside corner, type 150, neck height 100 mm, asymmetric	250	100	150	3,90	32207	32208
Corner element outside corner, type 180, neck height 130 mm, asymmetric	250	100	180	4,30	32209	32210
Sludge trap inlay, square perforation for type 150, type 180	1000	-	-	0,30	32227	32228

The quality of stainless steel material corresponds to CNS 1.4301.

RECYFIX®  
PRO

RECYFIX®  
PLUS

RECYFIX®  
STANDARD

Facade Drainage

SLOTTED  
CHANNELS

RECYFIX® POINT  
FASERFIX® POINT

RECYFIX®  
GREEN

LINEFIX

TOP X